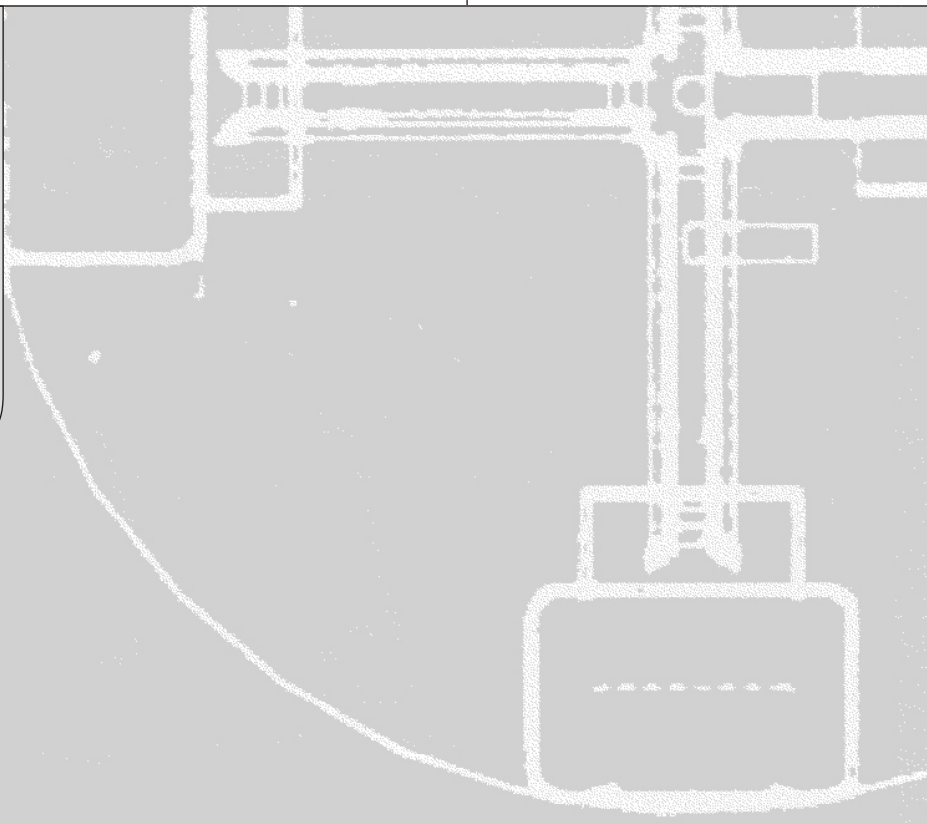


Genie®

Operator's Manual *with Maintenance Information*

Third Edition
Second Printing
Part No. 97779

GR™-12
GR™-15
GR™-20
CE Models



Important

Read, understand and obey these safety rules and operating instructions before operating this machine. Only trained and authorized personnel shall be permitted to operate this machine. This manual should be considered a permanent part of your machine and should remain with the machine at all times. If you have any questions, call Genie Industries.

Contents

	Page
Safety Rules	1
Legend	9
Controls	10
Pre-operation Inspection	12
Maintenance	14
Function Tests	16
Workplace Inspection	20
Operating Instructions	21
Transport and Lifting Instructions	26
Decals	28
Specifications	32

Contact us:

Internet: <http://www.genielift.com>
 e-mail: techpub@genieind.com


Copyright © 2000 by Genie Industries

First Edition: Sixth Printing, October 2002

Second Edition: First Printing, August 2004

Third Edition: Second Printing, May 2005

"Genie" is a registered trademark of Genie Industries in the U.S.A. and many other countries. "Runabout" and "GR" are trademarks of Genie Industries.

 Printed on recycled paper

Printed in U.S.A.

Safety Rules



Danger

Failure to obey the instructions and safety rules in this manual will result in death or serious injury.

Do Not Operate Unless:

- You learn and practice the principles of safe machine operation contained in this operator's manual.

1 Avoid hazardous situations.

Know and understand the safety rules before going on to the next section.

2 Always perform a pre-operation inspection.

3 Always perform function tests prior to use.

4 Inspect the workplace.

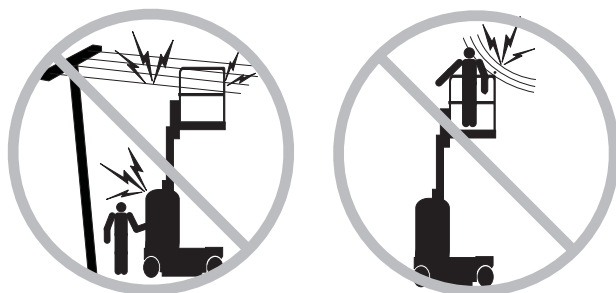
5 Only use the machine as it was intended.

- You read, understand and obey the manufacturer's instructions and safety rules—safety and operator's manuals and machine decals.
- You read, understand and obey employer's safety rules and worksite regulations.
- You read, understand and obey all applicable governmental regulations.
- You are properly trained to safely operate the machine.

SAFETY RULES

Electrocution Hazards

This machine is not electrically insulated and will not provide protection from contact with or proximity to electrical current.



Maintain safe distances from electrical power lines and apparatus in accordance with applicable governmental regulations and the following chart.

Voltage Phase to Phase	Minimum Safe Approach Distance Meters
0 to 300V	Avoid Contact
300V to 50KV	3.05
50KV to 200KV	4.60
200KV to 350KV	6.10
350KV to 500KV	7.62
500KV to 750KV	10.67
750KV to 1000KV	13.72

Allow for platform movement, electrical line sway or sag and beware of strong or gusty winds.

Keep away from the machine if it contacts energized power lines. Personnel on the ground or in the platform must not touch or operate the machine until energized power lines are shut off.

Do not operate the machine during lightning or storms.

Do not use the machine as a ground for welding.

Tip-over Hazards

Occupants, equipment and materials must not exceed the maximum platform capacity. Weight in trays and in each bike rack is part of the total platform load.

Maximum capacity - GR-12 and GR-15

Standard platform	227 kg
Work station tray (option)	22 kg
Parcel tray (option)	68 kg
Maximum occupants	1
Stock Picker platform	227 kg
Adjustable work station tray	68 kg
Parcel tray (option)	68 kg
Bike rack (option) (each)	20 kg
Maximum occupants	1
AWP and fiberglass platform	159 kg
Maximum occupants	1

SAFETY RULES

Maximum capacity - GR-20	
Standard platform	159 kg
Maximum occupants	1
Stock Picker platform	159 kg
Adjustable work station tray	68 kg
Bike rack (option) (each)	20 kg
Maximum occupants	1
AWP and fiberglass platform	159 kg
Maximum occupants	1

Do not raise the platform unless the machine is on a firm, level surface.



Do not depend on the tilt alarm as a level indicator. The tilt alarm sounds only when the machine is on a slope.

If the tilt alarm sounds:
Lower the platform immediately. Move the machine to a firm, level surface. If the tilt alarm sounds when the platform is raised, use extreme caution to lower the platform.

Do not alter or disable the limit switches.

Do not drive over 0.8 km/h with the platform raised.

Use extreme care and slow speeds while driving the machine in the stowed position across uneven terrain, debris, unstable or slippery surfaces and near holes and drop-offs.

Do not drive the machine on a slope that exceeds the slope and side slope rating of the machine. Slope rating applies to machines in the stowed position.

Maximum slope rating, stowed position	30% (17°)
--	-----------

Maximum side slope rating, stowed position	30% (17°)
---	-----------

Note: Slope rating is subject to ground conditions and adequate traction.

SAFETY RULES

Do not use the platform controls to free a platform that is caught, snagged or otherwise prevented from normal motion by an adjacent structure. All personnel must be removed from the platform before attempting to free the platform using the ground controls.

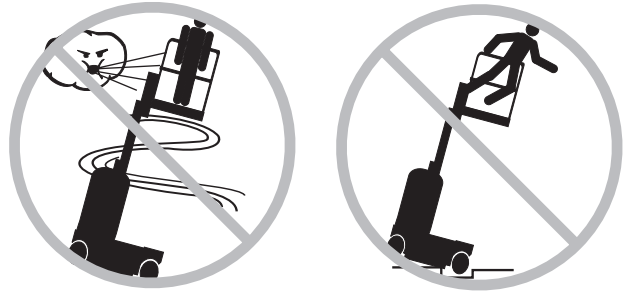
Do not push off or pull toward any object outside of the platform.

Maximum allowable manual force

CE
200 N



Do not operate the machine in strong or gusty winds. Do not increase the surface area of the platform or the load. Increasing the area exposed to the wind will decrease machine stability.



Do not drive the machine on or near uneven terrain, unstable surfaces or other hazardous conditions with the platform raised.

Do not transport tools and materials unless they are evenly distributed and can be safely handled by person(s) in the platform.

Do not replace items critical to machine stability with items of different weight or specification.

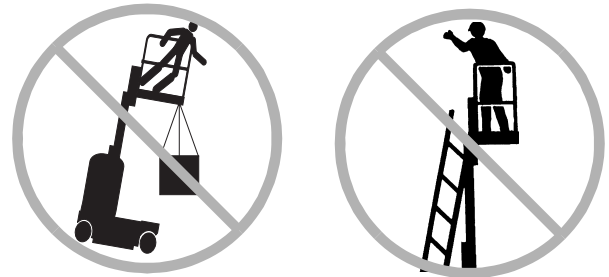
Do not alter or disable machine components that in any way affect safety and stability.

Do not use the machine on a moving or mobile surface or vehicle.

Do not modify or alter an aerial work platform without prior written permission from the manufacturer. Mounting attachments for holding tools or other materials onto the platform, toeboards or guard rail system can increase the weight in the platform and the surface area of the platform or the load.

Do not place or attach fixed or overhanging loads to any part of this machine.

Do not raise the mast when wind speeds may exceed 12.5 m/s. If wind speeds exceed 12.5 m/s when the platform is raised, lower the platform and do not continue to operate the machine.



Do not place ladders or scaffolds in the platform or against any part of this machine.

Be sure all tires are in good condition, castle nuts are properly tightened and cotter pins are properly installed.

SAFETY RULES

Do not use batteries that weigh less than the original equipment. Batteries are used as counterweight and are critical to machine stability. Each battery must weigh 28 kg.

Do not use the machine as a crane.

Do not push the machine or other objects with the platform.

Do not contact adjacent structures with the platform.

Do not tie the platform to adjacent structures.

Fall Hazards

The guard rail system provides fall protection. If occupants of the platform are required to wear personal fall protection equipment (PFPE) due to job site or employer rules, PFPE equipment and its use shall be in accordance with the PFPE manufacturer's instructions and applicable governmental requirements.

Do not sit, stand or climb on the platform guard rails. Maintain a firm footing on the platform floor at all times.



Do not climb down from the platform when raised.



Keep the platform floor clear of debris.

Lower the platform mid-rail bar or close the platform entry gate before operating.

Collision Hazards

Be aware of limited sight distance and blind spots when driving or operating.



Be aware of the extended platform position when moving the machine.

Operators must comply with employer, job site and governmental rules regarding use of personal protective equipment.

Check the work area for overhead obstructions or other possible hazards.

Be aware of crushing hazards when grasping the platform guard rail.

Observe and use the color-coded direction arrows



on the platform controls and platform decal plate for drive and steer functions.

No stunt driving or horseplay while operating a machine.

SAFETY RULES

Do not lower the platform unless the area below is clear of personnel and obstructions.



Limit travel speed according to the condition of the ground surface, congestion, slope, location of personnel, and any other factors which may cause collision.

Do not operate a machine in the path of any crane or moving overhead machinery unless the controls of the crane have been locked out and/or precautions have been taken to prevent any potential collision.

Crushing Hazard

Use common sense and planning when operating the machine with the controller from the ground. Maintain safe distances between the operator, the machine and fixed objects.

Component Damage Hazard

Do not use the machine as a ground for welding.

Explosion and Fire Hazard

Do not operate the machine or charge the battery in hazardous locations or locations where potentially flammable or explosive gases or particles may be present.

Damaged Machine Hazards

Do not use a damaged or malfunctioning machine.

Conduct a thorough pre-operation inspection of the machine and test all functions before each work shift. Immediately tag and remove from service a damaged or malfunctioning machine.

Be sure all maintenance has been performed as specified in this manual and the appropriate service manual.

Be sure all decals are in place and legible.

Be sure the operator's, safety, and responsibilities manuals are complete, legible and in the storage container located on the platform.

Bodily Injury Hazard

Do not operate the machine with a hydraulic oil or air leak. An air leak or hydraulic leak can penetrate and/or burn skin.

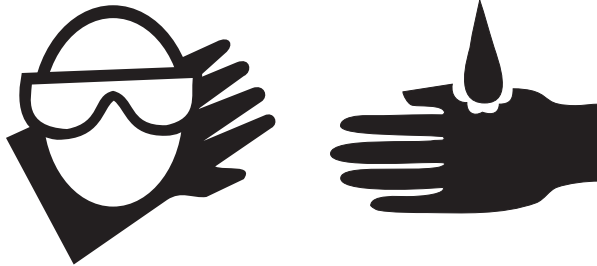
Improper contact with components under any cover will cause serious injury. Only trained maintenance personnel should access compartments. Access by the operator is only advised when performing a pre-operation inspection. All compartments must remain closed and secured during operation.

SAFETY RULES

Battery Safety

Burn Hazards

Batteries contain acid. Always wear protective clothing and eye wear when working with batteries.



Avoid spilling or contacting battery acid. Neutralize battery acid spills with baking soda and water.

Do not expose the batteries or the charger to water or rain during charging.

Explosion Hazards



Keep sparks, flames and lighted tobacco away from batteries. Batteries emit an explosive gas.

The battery tray should remain open during the entire charging cycle.

Do not contact the battery terminals or the cable clamps with tools that may cause sparks.

Component Damage Hazard

Do not use any battery charger greater than 24V to charge the batteries.

Electrocution Hazards



Connect the battery charger to a grounded, AC 3-wire electrical outlet only.

Inspect daily for damaged cord, cables and wires. Replace damaged items before operating.

Avoid electrical shock from contact with battery terminals. Remove all rings, watches and other jewelry.

Tip-over Hazard

Do not use batteries that weigh less than the original equipment. Batteries are used as counterweight and are critical to machine stability. Each battery must weigh 28 kg.

Lifting Hazard

Use the appropriate number of people and proper lifting techniques when lifting batteries.

SAFETY RULES

Decal Legend

Genie product decals use symbols, color coding and signal words to identify the following:



Safety alert symbol—used to alert personnel to potential personal injury hazards. Obey all safety messages that follow this symbol to avoid possible injury or death.



Red—used to indicate the presence of an imminently hazardous situation which, if not avoided, will result in death or serious injury.



Orange—used to indicate the presence of a potentially hazardous situation which, if not avoided, could result in death or serious injury.



Yellow with safety alert symbol—used to indicate the presence of a potentially hazardous situation which, if not avoided, may cause minor or moderate injury.

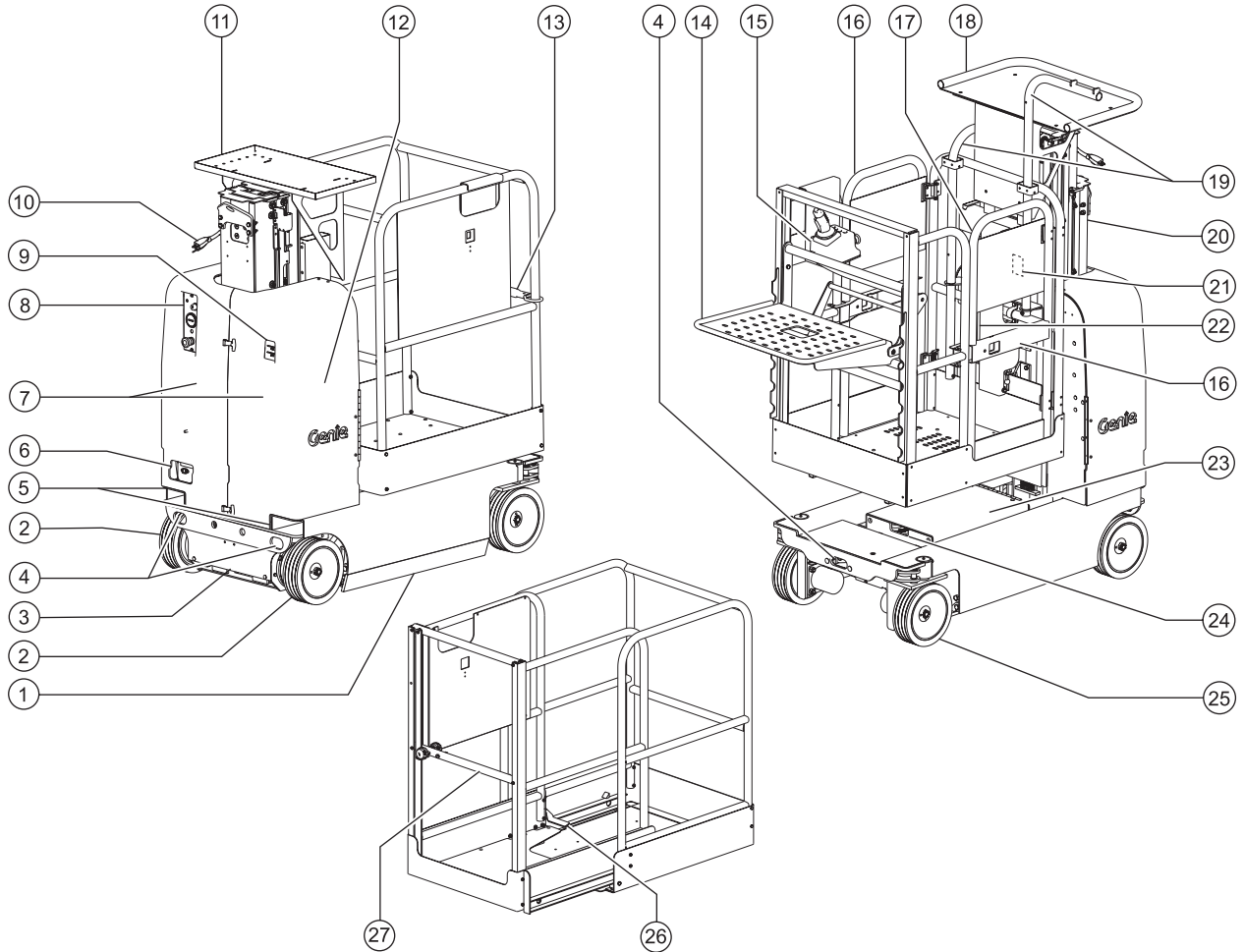


Yellow without safety alert symbol—used to indicate the presence of a potentially hazardous situation which, if not avoided, may result in property damage.



Green—used to indicate operation or maintenance information.

Legend



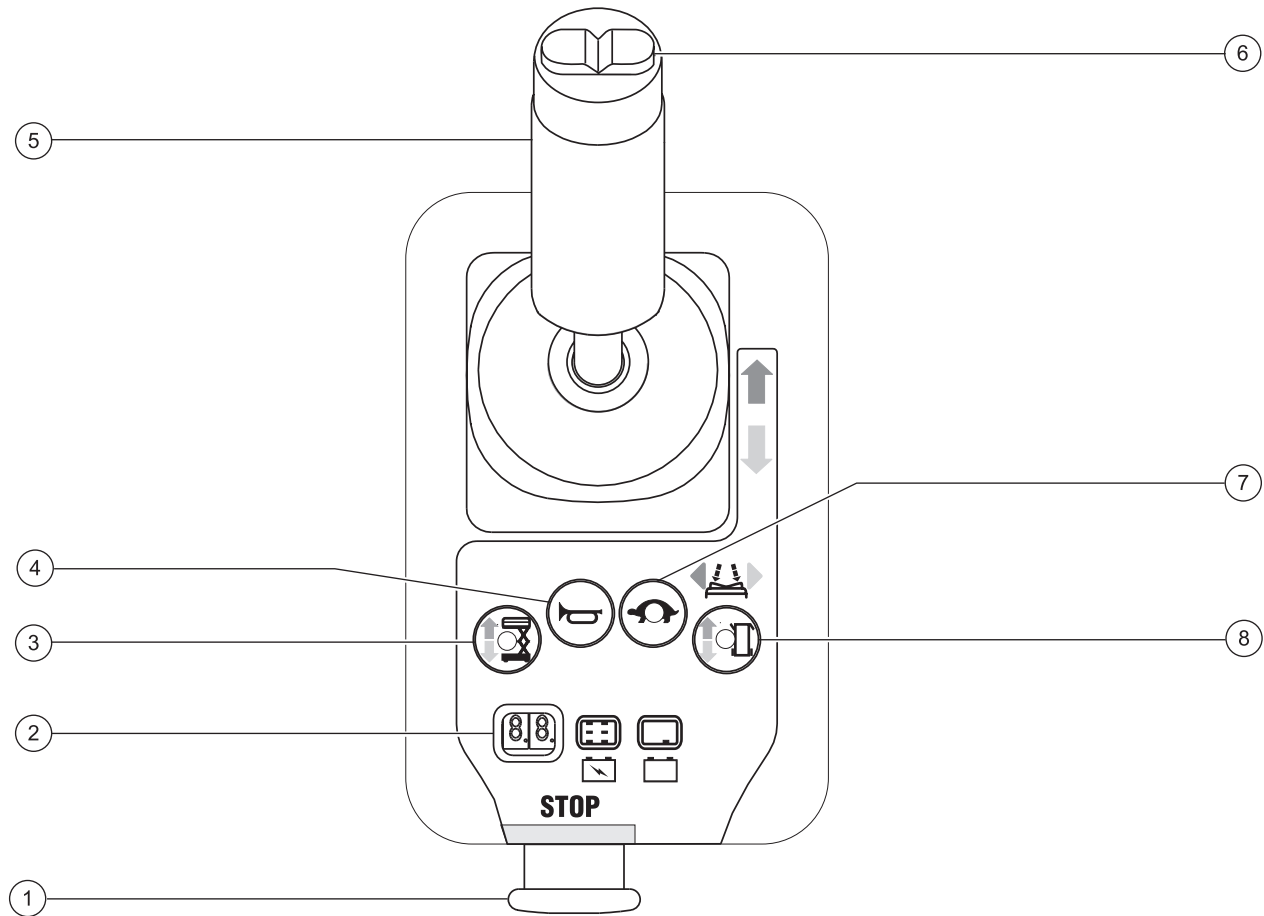
- 1 Pothole guard
- 2 Non-steer tire
- 3 Manual lowering valve
- 4 Transport tie-down
- 5 Forklift pocket
- 6 Battery charger display
- 7 Covers
- 8 Ground controls
- 9 Hydraulic oil level indicator
- 10 Power to platform/battery charger connection for optional inverter

- 11 Work station tray (if equipped)
- 12 Brake release pump knob (under covers)
- 13 Mid-rail entry bar
- 14 Adjustable work station tray
- 15 Platform controls
- 16 Dual-entry gate
- 17 Lanyard anchorage
- 18 Parcel tray (if equipped)

- 19 Bike rack (if equipped)
- 20 Mast
- 21 GFCI outlet
- 22 Manual storage container
- 23 Battery compartment cover
- 24 Battery cover latch
- 25 Steer tire
- 26 Platform extension release pedal
- 27 Platform extension entry gate



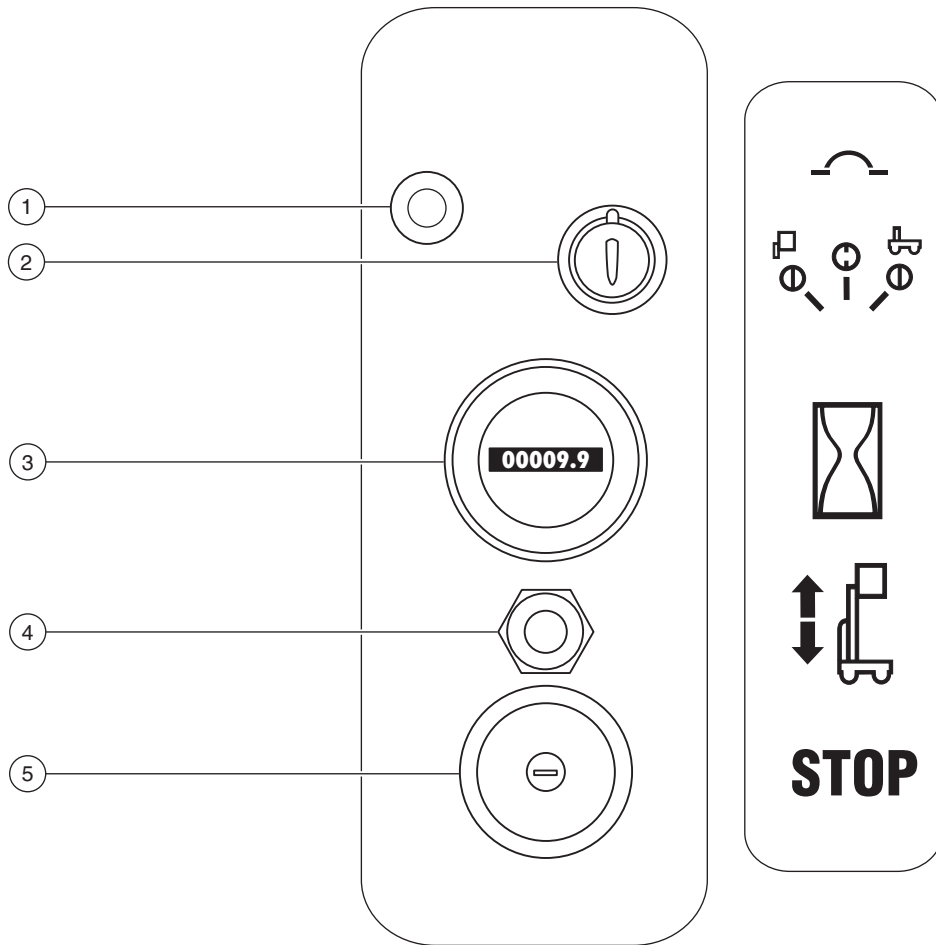
Controls



Platform Controls

- | | |
|---|---|
| 1 Red Emergency Stop button | 5 Proportional control handle and function enable switch for lift and drive functions |
| 2 LED diagnostic readout / Platform overload indicator / Battery charge indicator | 6 Thumb rocker switch for steer functions |
| 3 Lift function select button | 7 Drive speed button |
| 4 Horn button (if equipped) | 8 Drive function select button |

CONTROLS



Ground Control Panel

- 1 7 amp breaker for electrical circuits
- 2 Key switch for platform/off/ground selection
- 3 Hour meter
- 4 Platform up/down toggle switch
- 5 Red Emergency Stop button

Pre-operation Inspection



Do Not Operate Unless:

- You learn and practice the principles of safe machine operation contained in this operator's manual.

1 Avoid hazardous situations.

2 Always perform a pre-operation inspection.

Know and understand the pre-operation inspection before going on to the next section.

3 Always perform function tests prior to use.

4 Inspect the workplace.

5 Only use the machine as it was intended.

Fundamentals

It is the responsibility of the operator to perform a pre-operation inspection and routine maintenance.

The pre-operation inspection is a visual inspection performed by the operator prior to each work shift. The inspection is designed to discover if anything is apparently wrong with a machine before the operator performs the function tests.

The pre-operation inspection also serves to determine if routine maintenance procedures are required. Only routine maintenance items specified in this manual may be performed by the operator.

Refer to the list on the next page and check each of the items.

If damage or any unauthorized variation from factory delivered condition is discovered, the machine must be tagged and removed from service.

Repairs to the machine may only be made by a qualified service technician, according to the manufacturer's specifications. After repairs are completed, the operator must perform a pre-operation inspection again before going on to the function tests.

Scheduled maintenance inspections shall be performed by qualified service technicians, according to the manufacturer's specifications and the requirements listed in the responsibilities manual.

PRE-OPERATION INSPECTION

Pre-operation Inspection

- Be sure that the operator's, safety and responsibilities manuals are complete, legible and in the storage container located on the platform.
- Be sure that all decals are legible and in place. See Decals section.
- Check for hydraulic oil leaks and proper oil level. See Maintenance section.
- Check for battery fluid leaks and proper fluid level. Add distilled water if needed. See Maintenance section.

Check the following components or areas for damage, improperly installed or missing parts and unauthorized modifications:

- Electrical components, wiring and electrical cables
- Hydraulic power unit, tank, hoses, fittings, cylinders and manifolds
- Battery pack and connections
- Drive motors
- Tires and wheels
- Limit switches and alarms
- Nuts, bolts and other fasteners
- Platform entry mid-rail bar or gate
- Sequencing cables and pulleys
- Platform extension (if equipped)
- Work trays and bike racks (if equipped)
- Mast columns and counterweight
- Platform controls
- Brake release components

Check the entire machine for:

- Cracks in welds or structural components
- Dents or damage to the machine
- Be sure that all structural and other critical components are present and all associated fasteners and pins are in place and properly tightened.

Maintenance



Observe and Obey:

- ☑ Only routine maintenance items specified in this manual shall be performed by the operator.
- ☑ Scheduled maintenance inspections shall be completed by qualified service technicians, according to the manufacturer's specifications and the requirements specified in the responsibilities manual.

Maintenance Symbols Legend

NOTICE

The following symbols have been used in this manual to help communicate the intent of the instructions. When one or more of the symbols appear at the beginning of a maintenance procedure, it conveys the meaning below.



Indicates that tools will be required to perform this procedure.



Indicates that new parts will be required to perform this procedure.

Check the Hydraulic Oil Level



Maintaining the hydraulic oil at the proper level is essential to safe machine operation. Improper hydraulic oil levels can damage hydraulic components. Daily checks allow the inspector to identify changes in oil level that might indicate the presence of hydraulic system problems.

NOTICE

Perform this procedure with the platform in the stowed position.

- 1 Visually inspect the hydraulic oil level through the indicator at the back of the machine.
- ⦿ Result: The hydraulic oil level should be visible.
- 2 Add oil if necessary. Do not overfill.

Hydraulic oil specifications

Hydraulic oil type	Chevron Rykon Premium MV equivalent
--------------------	--

MAINTENANCE

Check the Batteries



Proper battery condition is essential to good performance and operational safety. Improper fluid levels or damaged cables and connections can result in component damage and hazardous conditions.

NOTICE

This procedure does not need to be performed on machines with sealed or maintenance-free batteries.

⚠ WARNING

Electrocution hazard. Contact with hot or live circuits could result in death or serious injury. Remove all rings, watches and other jewelry.

⚠ WARNING

Bodily injury hazard. Batteries contain acid. Avoid spilling or contacting battery acid. Neutralize battery acid spills with baking soda and water.

NOTICE

Perform this test after fully charging the batteries.

- 1 Put on protective clothing and eye wear.
- 2 Raise the platform approximately 1.5 m.
- 3 Open the battery cover. Rest the cover against the chassis.
- 4 Lower the platform until the mast just contacts the battery cover.

⚠ WARNING

Crushing hazard. Keep hands clear of the battery cover when lowering the platform.

- 5 Turn the key switch to the off position.
- 6 Be sure that the battery cable connections are tight and free of corrosion.

- 7 Remove the battery vent caps.
- 8 Check the battery acid level. If needed, replenish with distilled water to the bottom of the battery fill tube. Do not overfill.
- 9 Install the vent caps.
- 10 Raise the platform and lower the cover.

Scheduled Maintenance

Maintenance performed quarterly, annually and every two years must be completed by a person trained and qualified to perform maintenance on this machine according to the procedures found in the service manual for this machine.

Machines that have been out of service for more than three months must receive the quarterly inspection before they are put back into service.

Function Tests



Do Not Operate Unless:

- You learn and practice the principles of safe machine operation contained in this operator's manual.

- 1 Avoid hazardous situations.
- 2 Always perform a pre-operation inspection.

3 Always perform function tests prior to use.

Know and understand the function tests before going on to the next section.

- 4 Inspect the workplace.
- 5 Only use the machine as it was intended.

Fundamentals

The function tests are designed to discover any malfunctions before the machine is put into service. The operator must follow the step-by-step instructions to test all machine functions.

A malfunctioning machine must never be used. If malfunctions are discovered, the machine must be tagged and removed from service. Repairs to the machine may only be made by a qualified service technician, according to the manufacturer's specifications.

After repairs are completed, the operator must perform a pre-operation inspection and function tests again before putting the machine into service.

FUNCTION TESTS

- 1 Select a test area that is firm, level and free of obstruction.
- 2 Be sure the battery pack is connected.

At the Ground Controls

- 3 Pull out the platform and ground red Emergency Stop buttons to the on position.
- 4 Turn the key switch to ground control.
- 5 Observe the diagnostic LED readout on the platform controls.

- ⦿ Result: The LED should look like the picture at right.



Test Emergency Stop

- 6 Push in the ground red Emergency Stop button to the off position.
- ⦿ Result: No functions should operate.
- 7 Pull out the red Emergency Stop button to the on position.

Test the Up/Down Functions

- 8 Activate the up function.
- ⦿ Result: The platform should raise.
- 9 Activate the down function.
- ⦿ Result: The platform should lower. The descent alarm should sound while the platform is lowering.

Test Manual Lowering

- 10 Activate the up function and raise the platform approximately 60 cm.
- 11 Pull the manual lowering knob located at the base of the machine below the charger.
- ⦿ Result: The platform should lower. The descent alarm will not sound.
- 12 Turn the key switch to platform control.

At the Platform Controls

Test Emergency Stop

- 13 Push in the platform red Emergency Stop button to the off position.

- ⦿ Result: No functions should operate.

Test the Horn

- 14 Pull out the red Emergency Stop button to the on position.

- 15 Push the horn button.

- ⦿ Result: The horn should sound.

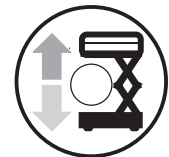
Test the Function Enable Switch

- 16 Do not press the function enable switch on the control handle.
- 17 Slowly move the control handle in the direction indicated by the blue arrow, then in the direction indicated by the yellow arrow.

- ⦿ Result: No functions should operate.

Test the Up/Down Functions

- 18 Press the lift function select button.
- 19 Press and hold the function enable switch on the control handle.
- 20 Slowly move the control handle in the direction indicated by the blue arrow.
- ⦿ Result: The platform should raise.
- 21 Release the control handle.
- ⦿ Result: The platform should stop raising.



FUNCTION TESTS

- 22 Press and hold the function enable switch.
Slowly move the control handle in the direction indicated by the yellow arrow.

- ⦿ Result: The platform should lower. The descent alarm should sound while the platform is lowering.

Test the Steering

Note: When performing the steer and drive function tests, stand in the platform facing the steer end of the machine.

- 23 Press the drive function select switch.



- 24 Press and hold the function enable switch on the control handle.

- 25 Press the thumb rocker switch on top of the control handle in the direction indicated by the blue triangle on the control panel.

- ⦿ Result: The steer wheels should turn in the direction that the blue triangle points on the control panel.

- 26 Press the thumb rocker switch in the direction indicated by the yellow triangle on the control panel.

- ⦿ Result: The steer wheels should turn in the direction that the yellow triangle points on the control panel.

Test Drive and Braking

- 27 Press and hold the function enable switch on the control handle.

- 28 Slowly move the control handle in the direction indicated by the blue arrow on the control panel until the machine begins to move, then return the handle to the center position.

- ⦿ Result: The machine should move in the direction that the blue arrow points on the control panel, then come to an abrupt stop.

- 29 Slowly move the control handle in the direction indicated by the yellow arrow on the control panel until the machine begins to move, then return the handle to the center position.

- ⦿ Result: The machine should move in the direction that the yellow arrow points on the control panel, then come to an abrupt stop.

Note: The brakes must be able to hold the machine on any slope it is able to climb.

Test the Tilt Sensor Operation

Note: Perform this test from the ground with the platform controller. Do not stand in the platform.

- 30 Press the lift function select button.

- 31 Fully lower the platform.

- 32 Place a 2x4 or similar piece of wood in front of each wheel on one side of the machine.

- 33 Press the drive function select button.

- 34 Drive the machine up onto both pieces of wood.

- 35 Press the lift function select button.

FUNCTION TESTS

36 Raise the platform.

- ⦿ Result: Before the platform is raised approximately 30 cm, the lift function should stop, an alarm should sound and the LED readout should display LL.



37 Press the drive function select button.

38 Press and hold the function enable switch and slowly move the control handle in the direction indicated by the blue arrow, then in the direction indicated by the yellow arrow.

- ⦿ Result: The drive function should not work in either direction.

39 Lower the platform and drive the machine off both pieces of wood.

Test Limited Drive Speed

40 Press the lift function select button.

41 Press and hold the function enable switch on the control handle. Raise the platform approximately 60 cm from the ground.

42 Press the drive function select button.

43 Press and hold the function enable switch on the control handle. Slowly move the control handle to the full drive position.

- ⦿ Result: The maximum achievable drive speed with the platform raised should not exceed 20 cm per second.

If the drive speed with the platform raised exceeds 20 cm per second, immediately tag and remove the machine from service.

Test the Pothole Guards

Note: The pothole guards should automatically deploy when the platform is raised. The pothole guards activate another limit switch which allows the machine to continue to function. If the pothole guards do not deploy, an alarm sounds and the machine will not drive.

44 Raise the platform.

- ⦿ Result: When the platform is raised 1.2 m from the ground, the pothole guards should deploy.

45 Press on the pothole guards on one side, and then the other.

- ⦿ Result: The pothole guards should not move.

46 Lower the platform.

- ⦿ Result: The pothole guards should return to the stowed position.

47 Place a 2x4 or similar piece of wood under a pothole guard. Raise the platform.

- ⦿ Result: Before the platform is raised 2.1 m from the ground, an alarm should sound and the drive function should not work.

48 Lower the platform and remove the 2x4.

Workplace Inspection



Do Not Operate Unless:

- You learn and practice the principles of safe machine operation contained in this operator's manual.

- 1 Avoid hazardous situations.
- 2 Always perform a pre-operation inspection.
- 3 Always perform function tests prior to use.

4 Inspect the workplace.

Know and understand the workplace inspection before going on to the next section.

- 5 Only use the machine as it was intended.

Workplace Inspection

Be aware of and avoid the following hazardous situations:

- drop-offs or holes
- bumps, floor obstructions or debris
- sloped surfaces
- unstable or slippery surfaces
- overhead obstructions and high voltage conductors
- hazardous locations
- inadequate surface support to withstand all load forces imposed by the machine
- wind and weather conditions
- the presence of unauthorized personnel
- other possible unsafe conditions

Fundamentals

The workplace inspection helps the operator determine if the workplace is suitable for safe machine operation. It should be performed by the operator prior to moving the machine to the workplace.

It is the operator's responsibility to read and remember the workplace hazards, then watch for and avoid them while moving, setting up and operating the machine.

Operating Instructions



Do Not Operate Unless:

- You learn and practice the principles of safe machine operation contained in this operator's manual.
 - 1 Avoid hazardous situations.
 - 2 Always perform a pre-operation inspection.
 - 3 Always perform function tests prior to use.
 - 4 Inspect the workplace.
 - 5 **Only use the machine as it was intended.**

Fundamentals

The Operating Instructions section provides instructions for each aspect of machine operation. It is the operator's responsibility to follow all the safety rules and instructions in the operator's, safety and responsibilities manuals.

Using the machine for anything other than lifting personnel, along with their tools and materials, to an aerial work site is unsafe and dangerous.

Only trained and authorized personnel should be permitted to operate a machine. If more than one operator is expected to use a machine at different times in the same work shift, they must all be qualified operators and are all expected to follow all safety rules and instructions in the operator's, safety and responsibilities manuals. That means every new operator should perform a pre-operation inspection, function tests, and a workplace inspection before using the machine.

OPERATING INSTRUCTIONS

Emergency Stop

Push in the red Emergency Stop button to the off position at the ground or platform controls to stop all machine functions.

Repair any function that operates when either red Emergency Stop button is pushed in.

Auxiliary Lowering

- 1 Pull the auxiliary lowering knob.

Operation From Ground

- 1 Turn the key switch to ground control.
- 2 Pull out both ground and platform red Emergency Stop buttons to the on position.
- 3 Be sure the battery pack is connected before operating the machine.

To Position Platform

- 1 Move the up/down toggle switch according to the markings on the control panel.

Drive and steer functions are not available from the ground controls.

Operation From Platform

- 1 Turn the key switch to platform control.
- 2 Pull out the ground and platform red Emergency Stop buttons to the on position.
- 3 Be sure the battery pack is connected before operating the machine.

To Position Platform

- 1 Press the lift function select button.
- 2 Press and hold the function enable switch on the control handle.
- 3 Move the control handle according to the markings on the control panel.

**To Steer**

- 1 Press the drive function select button.
- 2 Press and hold the function enable switch on the control handle.
- 3 Turn the steer wheels with the thumb rocker switch located on the top of the control handle.

**To Drive**

- 1 Press the drive function select button.
- 2 Press and hold the function enable switch on the control handle.
- 3 Increase speed: Slowly move the control handle off center.

Decrease speed: Slowly move the control handle toward center.

Stop: Return the control handle to center or release the function enable switch.

Use the color-coded direction arrows on the platform controls and on the platform to identify the direction the machine will travel.

Machine travel speed is restricted when the platform is raised.

OPERATING INSTRUCTIONS

To Reduce Drive Speed

The drive controls can operate in two different drive speed modes. When the drive speed button light is on, slow drive speed mode is active. When the button light is off, fast drive speed mode is active.



Press the drive speed button to select the desired drive speed.

Driving on a slope

Determine the slope and side slope ratings for the machine and determine the slope grade.



Maximum slope rating, stowed position: 30% (17°)



Maximum side slope rating, stowed position: 30% (17°)

Note: Slope rating is subject to ground conditions and adequate traction.

Press the drive speed button to the fast drive speed mode.

To determine the slope grade:

Measure the slope with a digital inclinometer OR use the following procedure.

You will need:

- carpenter's level
- straight piece of wood, at least 1 m long
- tape measure

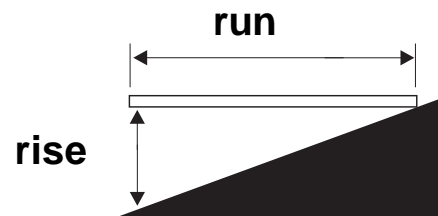
Lay the piece of wood on the slope.

At downhill end, lay the level on the top edge of the piece of wood and lift the end until the piece of wood is level.

While holding the piece of wood level, measure the distance from the bottom of the piece of wood to the ground.

Divide the tape measure distance (rise) by the length of the piece of wood (run) and multiply by 100.

Example:



Run = 3.6 m

Rise = 0.3 m

$0.3 \text{ m} \div 3.6 \text{ m} = 0.083 \times 100 = 8.3\%$

If the slope exceeds the maximum slope or side slope rating, the machine must be winched or transported up or down the slope. See Transport and Lifting section.

OPERATING INSTRUCTIONS

Error Indicator display

If the LED diagnostic readout displays an error code, such as LL, push in and pull out the red Emergency Stop button to reset the system.

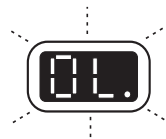
To Extend and Retract Platform (if equipped)

- 1 Step on the platform extension release pedal.
- 2 Grasp the platform guard rails carefully and push to extend the platform.
- 3 Step on the platform extension release pedal and pull the guard rails to retract the platform.

Operation From Ground with Controller

Maintain safe distances between the operator, machine and fixed objects.

Be aware of the direction the machine will travel when using the controller.

Platform Overload

Flashing OL in the LED diagnostic readout indicates the platform is overloaded and no functions will operate. An alarm will sound.

- 1 Push in the Red Emergency stop button to the off position.
- 2 Remove the weight from the platform.
- 3 Pull out the Red Emergency stop button to the on position.

Battery Level Indicator

Use the LED diagnostic readout to determine the battery level.

Fall Protection

Personal fall protection equipment (PFPE) is not required when operating this machine. If PFPE is required by job site or employer rules, the following shall apply:

All PFPE must comply with applicable governmental regulations and must be inspected and used in accordance with the manufacturer's instructions.

After Each Use

- 1 Select a safe parking location—firm level surface, clear of obstruction and traffic.
- 2 Lower the platform.
- 3 Turn the key switch to the off position and remove the key to secure from unauthorized use.
- 4 Chock the wheels.
- 5 Charge the batteries.

OPERATING INSTRUCTIONS



Battery and Charger Instructions

Observe and Obey:

- Do not use an external charger or booster battery.
- Charge the battery in a well-ventilated area.
- Use proper AC input voltage for charging as indicated on the machine.
- Use only a Genie authorized battery and charger.

To Charge Batteries

Maintenance - free batteries

- 1 Connect the battery charger to a grounded AC circuit.
- 2 The charger will indicate when the battery is fully charged.

Standard Batteries

- 1 Put on protective clothing and eye wear.
- 2 Raise the platform approximately 1.5 m.
- 3 Open the battery cover. Rest the cover against the chassis.
- 4 Lower the platform until the mast just contacts the battery cover.

WARNING Crushing hazard. Keep hands clear of the battery cover when lowering the platform.

- 5 Turn the key switch to the off position.
- 6 Be sure that the battery cable connections are tight and free of corrosion.
- 7 Remove the battery vent caps and check the battery acid level. If necessary, add only enough distilled water to cover the plates. Do not overfill prior to the charge cycle.
- 8 Replace the battery vent caps.
- 9 Connect the battery charger to a grounded AC circuit.
- 10 The charger will indicate when the battery is fully charged.
- 11 Check the battery acid level when the charging cycle is complete. Replenish with distilled water to the bottom of the fill tube. Do not overfill.
- 12 Raise the platform and lower the cover.

Transport and Lifting Instructions



Observe and Obey:

- ☑ Common sense and planning must be applied to control the movement of the machine when lifting it with a crane or forklift.
- ☑ The transport vehicle must be parked on a level surface.
- ☑ The transport vehicle must be secured to prevent rolling while the machine is being loaded.
- ☑ Be sure the vehicle capacity, loading surfaces and chains or straps are sufficient to withstand the machine weight. See the serial plate for the machine weight.
- ☑ The machine must be on a level surface or secured before releasing the brakes.
- ☑ Do not drive the machine on a slope that exceeds the slope or side slope rating. See Driving on a Slope in the Operating Instructions section.
- ☑ If the slope of the transport vehicle bed exceeds the maximum slope rating, the machine must be loaded and unloaded using a winch as described.

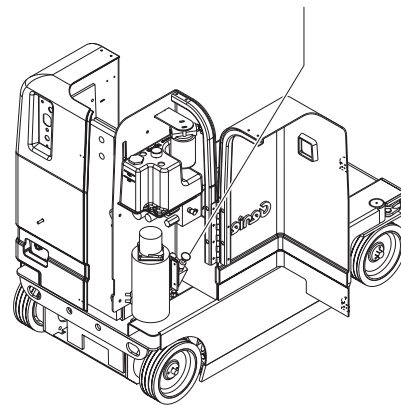
Brake Release Operation

- 1 Chock the wheels to prevent the machine from rolling.
- 2 Be sure the winch line is properly secured to the drive chassis tie points and the path is clear of all obstructions.
- 3 Push in the black brake release knob to open the brake valve.
- 4 Pump the red brake release pump knob

After the machine is loaded:

- 1 Push in both ground and platform red Emergency Stop buttons to the off position.
- 2 Turn the key switch to the off position.
- 3 Chock the wheels to prevent the machine from rolling.
- 4 Push the brake release switch closed to reset the brakes.

Brake Release Switch



TRANSPORT AND LIFTING INSTRUCTIONS

Loading the Machine With a Crane

Use the lifting eye mounted on the rear mast column.

Make sure the mast is fully lowered.

Inspect the machine and remove any loose or unsecured items.

Always place the lifting hook through the lifting eye so that it points away from the machine.



Securing to Truck or Trailer for Transit

Always chock the machine wheels in preparation for transport.

Turn the key switch to the off position and remove the key before transporting.

Inspect the entire machine for loose or unsecured items.

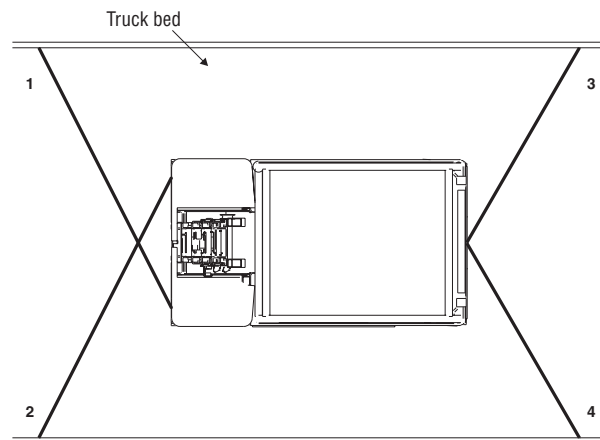
Securing the Chassis

Use the tie-down points on the chassis for anchoring down to the transport surface.

Use chains or straps of ample load capacity.

Use a minimum of 4 chains.

Adjust the rigging to prevent damage to the chains.



Decals


Inspection for Decals with Symbols Standard and AWP Platforms

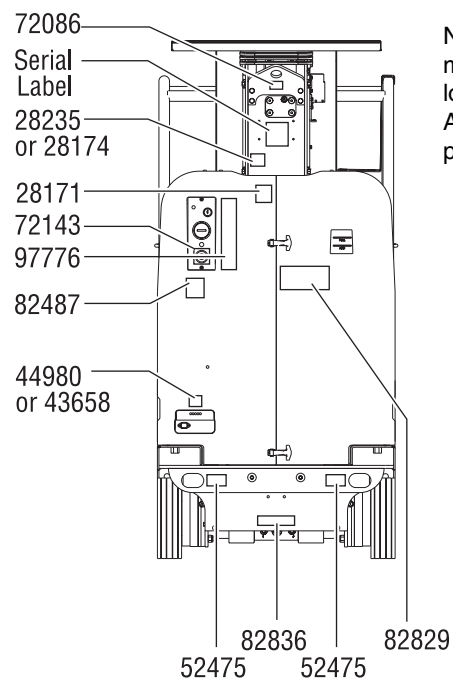
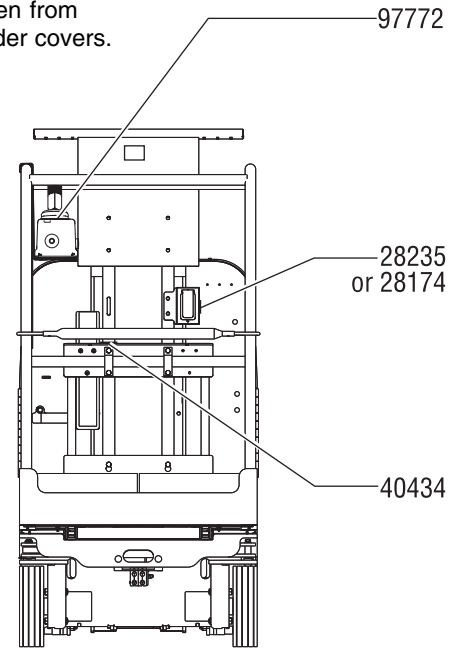
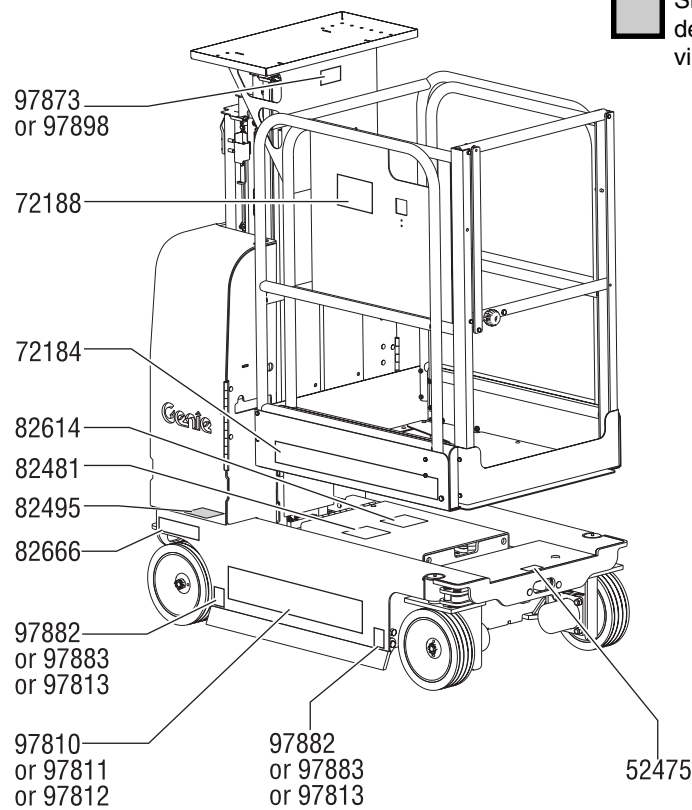
Determine whether the decals on your machine have words or symbols. Use the appropriate inspection to verify that all decals are legible and in place.

Part No.	Description	Quantity
28171	Label - No Smoking	1
28174	Label - Power to Platform, 230 V	2
28235	Label - Power to Platform, 115 V	2
40434	Label - Lanyard Anchorage	1
43658	Label - Power to Charger, 230 V	1
44980	Label - Power to Charger, 115 V	1
52475	Label - Transport Tie-down	3
72086	Label - Lifting Eye	1
72143	Label - Emergency Stop	1
72184	Cosmetic - Genie Runabout	2
72188	Label - Directional Arrows	2
82481	Danger - Battery Safety	1
82487	Label - Read the Manual	2
82495	Danger - Brake Release Safety & Operating Instructions	1
82614	Danger - Collision Hazard	1
82666	Label - Forklift Pocket	2
82829	Danger - Electrocution Hazard	1
82830	Danger - Max Side Force 200 N	1
82835	Danger - Max Capacity 159 kg (models with AWP and fiberglass platform)	1

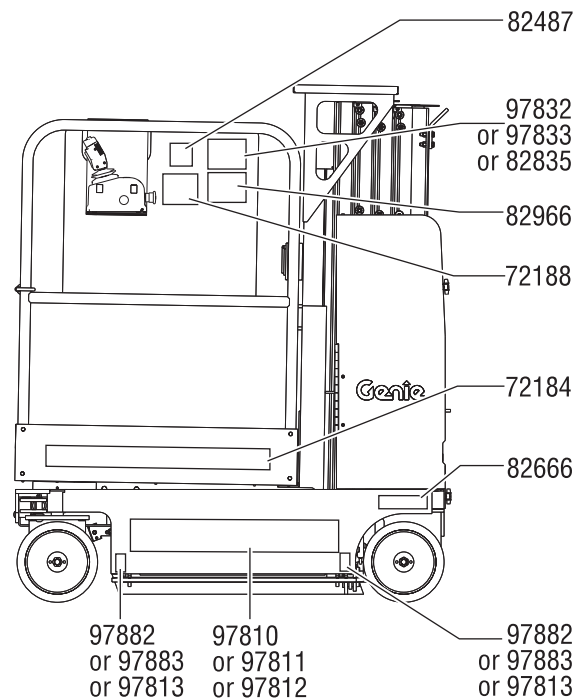
Part No.	Description	Quantity
82836	Label - Manual Lowering	1
97772	Overlay - Platform Controls	1
97776	Ground Control Panel	1
97810	Cosmetic - Genie GR-12	2
97811	Cosmetic - Genie GR-15	2
97812	Cosmetic - Genie GR-20	2
97813	Label - Wheel Load, GR-20	4
97815	Label - Lower Midrail (models with sliding midrail entry option)	1
97832	Danger - Max Capacity 227 kg, GR-12, GR-15 (standard platform)	1
97833	Danger - Max Capacity 159 kg, GR-20	1
97873	Danger - Max Capacity, Workstation Tray 22 kg, GR-12, GR-15	1
97882	Label - Wheel Load, GR-12	4
97883	Label - Wheel Load, GR-15	4
97898	Danger - Max Capacity, Parcel Tray 68 kg, GR-12, GR-15	1
97899	Danger - Safety Chock	1

DECALS

 Shading indicates decal is hidden from view, i.e., under covers.



Note: Platform decals may be in different locations on optional AWP and fiberglass platforms.



DECALS

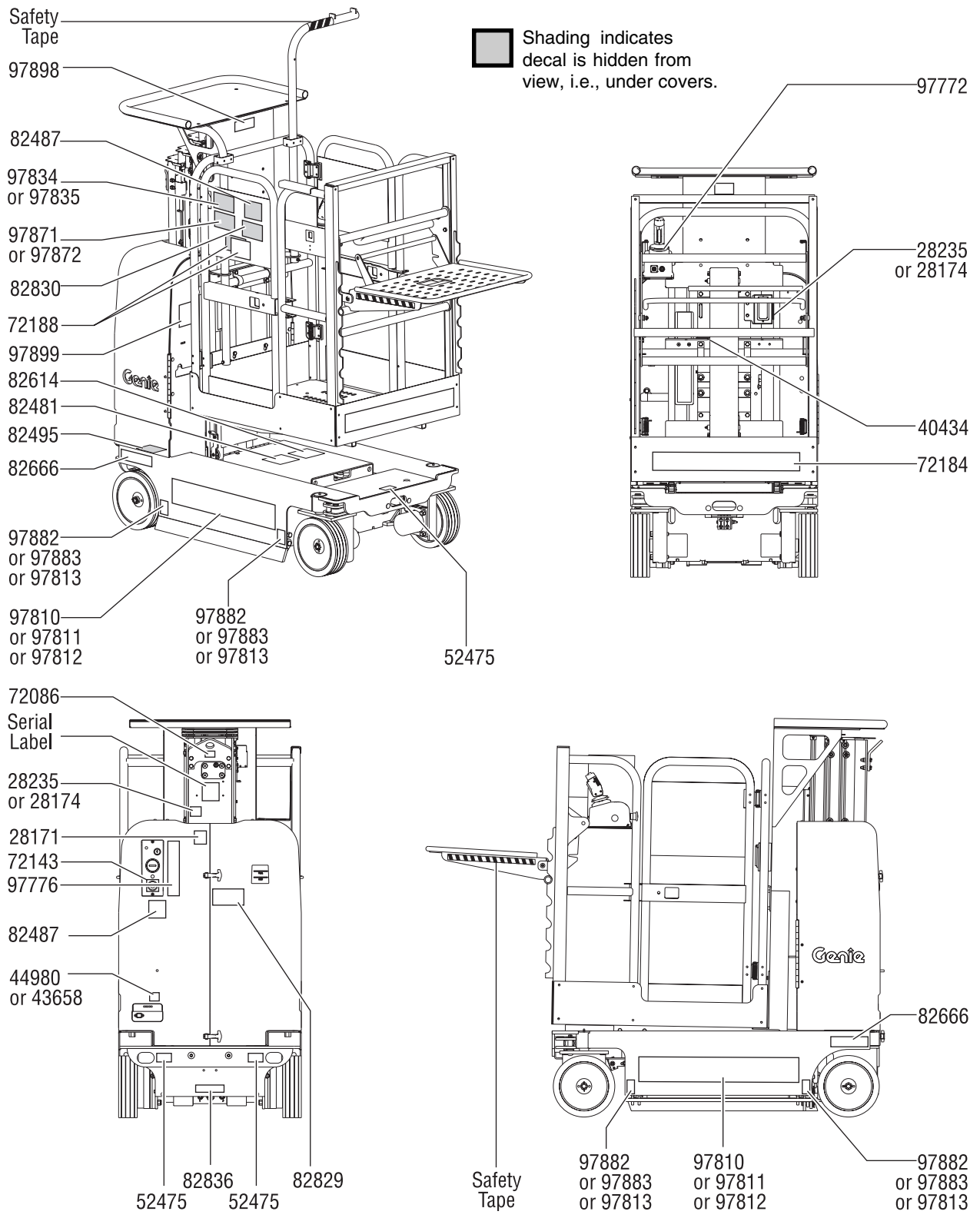
Inspection for Decals with Symbols Stock Picker Platform

Determine whether the decals on your machine have words or symbols. Use the appropriate inspection to verify that all decals are legible and in place.

Part No.	Description	Quantity
28171	Label - No Smoking	1
28174	Label - Power to Platform, 230 V	2
28235	Label - Power to Platform, 115 V	2
40434	Label - Lanyard Anchorage	1
43658	Label - Power to Charger, 230 V	1
44980	Label - Power to Charger, 115 V	1
52475	Label - Transport Tie-down	3
72086	Label - Lifting Eye	1
72143	Label - Emergency Stop	1
72184	Cosmetic - Genie Runabout	1
72188	Label - Directional Arrows	2
82481	Danger - Battery Safety	1
82487	Label - Read the Manual	2
82495	Danger - Brake Release Safety & Operating Instructions	1
82614	Danger - Collision Hazard	1
82666	Label - Forklift Pocket	2
82829	Danger - Electrocution Hazard	1
82830	Danger - Max Side Force 200 N	1

Part No.	Description	Quantity
82836	Label - Manual Lowering	1
97772	Overlay - Platform Controls	1
97776	Ground Control Panel	1
97810	Cosmetic - Genie GR-12	2
97811	Cosmetic - Genie GR-15	2
97812	Cosmetic - Genie GR-20	2
97813	Label - Wheel Load, GR-20	4
97834	Danger - Max Capacity, 227 kg, GR-12, GR-15	1
97835	Danger - Max Capacity, 159 kg, GR-20	1
97871	Danger - Max Capacity, Bike Rack, GR-12, GR-15	1
97872	Danger - Max Capacity, Bike Rack, GR-20	1
97882	Label - Wheel Load, GR-12	4
97883	Label - Wheel Load, GR-15	4
97898	Danger - Max Capacity, Parcel Tray 68 kg, GR-12, GR-15	1
97899	Danger - Safety Chock	1

DECALS



Shading indicates decal is hidden from view, i.e., under covers.

Specifications

GR-12	
Height, working maximum	5.31 m
Height, platform maximum	3.48 m
Height, stowed maximum	1.72 m
Height, stowed maximum standard platform with work station tray	1.62 m
Height, stowed maximum stock picker platform with work station tray	1.62 m
Height, stowed maximum stock picker platform with bike racks	1.60 m
Width	75 cm
Length, stowed	1.35 m
Length with standard platform optional platform extension extended	1.85 m
Length with stock picker platform including adjustable tray	1.87 m
Length with stock picker platform including adjustable tray and work station tray	1.91 m
Maximum capacity, standard platform	227 kg
Maximum capacity, AWP and fiberglass platform	159 kg
Maximum capacity, stock picker platform	227 kg
Maximum wind speed	12.5 m/s
Turning radius (inside)	0 cm
Turning radius (outside)	78.7 cm
Weight (Machine weights vary with option configurations)	See Serial Label

Power source	4 Batteries, 6V 225AH
Controls	Proportional
AC outlet in platform	Standard
Tire size	25.4 x 7.6 x 2.5 cm
Airborne noise emissions Maximum sound level at normal operating workstations (A-weighted)	70 dB
Maximum slope rating, stowed position	30% (17°)
Maximum side slope rating	30% (17°)
Note: Slope rating is subject to ground conditions and adequate traction.	

Drive speeds

Stowed, maximum	4.0 km/h 12.2 m/10.9 sec
Platform raised, maximum	0.8 km/h 12.5 m/55 sec

Floor loading information

Tire load, maximum	464 kg
Tire contact pressure	11.06 kg/cm ² 1085 kPA
Occupied floor pressure	936 kg/m ² 9.18 kPA

Note: Floor loading information is approximate and does not incorporate different option configurations. It should be used only with adequate safety factors.

Continuous improvement of our products is a Genie policy. Product specifications are subject to change without notice or obligation.

SPECIFICATIONS

GR-15	
Height, working maximum	6.30 m
Height, platform maximum	4.47 m
Height, stowed maximum	1.72 m
Height, stowed maximum standard platform with work station tray	1.62 m
Height, stowed maximum stock picker platform with work station tray	1.62 m
Height, stowed maximum stock picker platform with bike racks	1.97 m
Width	75 cm
Length, stowed	1.35 m
Length with standard platform optional platform extension extended	1.85 m
Length with stock picker platform including adjustable tray	1.87 m
Length with stock picker platform including adjustable tray and work station tray	1.91 m
Maximum capacity, standard platform	227 kg
Maximum capacity, AWP and fiberglass platform	159 kg
Maximum capacity, stock picker platform	227 kg
Maximum wind speed	12.5 m/s
Turning radius (inside)	0 cm
Turning radius (outside)	78.7 cm
Weight	See Serial Label (Machine weights vary with option configurations)

Power source	4 Batteries, 6V 225AH
Controls	Proportional
AC outlet in platform	Standard
Tire size	25.4 x 7.6 x 2.5 cm
Airborne noise emissions	70 dB
Maximum sound level at normal operating workstations (A-weighted)	
Maximum slope rating, stowed position	30% (17°)
Maximum side slope rating	30% (17°)
Note: Slope rating is subject to ground conditions and adequate traction.	

Drive speeds

Stowed, maximum	4.0 km/h 12.2 m/10.9 sec
Platform raised, maximum	0.8 km/h 12.5 m/55 sec

Floor loading information

Tire load, maximum	606 kg
Tire contact pressure	14.4 kg/cm ² 1418 kPA
Occupied floor pressure	1210 kg/m ² 11.87 kPA

Note: Floor loading information is approximate and does not incorporate different option configurations. It should be used only with adequate safety factors.

Continuous improvement of our products is a Genie policy. Product specifications are subject to change without notice or obligation.

SPECIFICATIONS

GR-20			
Height, working maximum	7.90 m	AC outlet in platform	Standard
Height, platform maximum	6.07 m	Tire size	25.4 x 7.6 x 2.5 cm
Height, stowed maximum	1.98 m	Airborne noise emissions	70 dB
Height, stowed maximum stock picker platform with bike racks	1.60 m	Maximum sound level at normal operating workstations (A-weighted)	
Width	80 cm	Maximum slope rating, stowed position	30% (17°)
Length, stowed	1.42 m	Maximum side slope rating	30% (17°)
Length with standard platform optional platform extension extended	1.92 m	Note: Slope rating is subject to ground conditions and adequate traction.	
Length with stock picker platform including adjustable tray	1.94 m	Stowed, maximum	4.0 km/h 12.2 m/10.9 sec
Maximum capacity, standard platform	159 kg	Platform raised, maximum	0.8 km/h 12.5 m/55 sec
Maximum capacity, AWP and fiberglass platform	159 kg	Floor Loading Information	
Maximum capacity, stock picker platform	159 kg	Tire Load, maximum	553 kg
Maximum wind speed	45 km/h	Tire Contact Pressure	13 kg/cm ² 1292.76 kPA
Turning radius (inside)	0 cm	Occupied Floor Pressure	1180 kg/m ² 11.57 kPA
Turning radius (outside)	78.7 cm	Note: Floor loading information is approximate and does not incorporate different option configurations. It should be used only with adequate safety factors.	
Weight (Machine weights vary with option configurations)	See Serial Label	Continuous improvement of our products is a Genie policy. Product specifications are subject to change without notice or obligation.	
Power source	4 Batteries, 6V 225AH		
Controls	Proportional		

SPECIFICATIONS

Platform dimensions, all models (length x width)

Standard platform	88 x 75 cm
Standard platform with extension	1.4 m x 75 cm
Stock picker platform	88 x 73 cm
Stock picker platform including adjustable tray	1.4 m x 73 cm
Standard AWP platform	69 x 51 cm
Narrow AWP platform	66 cm x 51 cm
Standard fiberglass platform	74 x 67 cm
Narrow fiberglass platform	66 x 56 cm

<p>Genie Scandinavia Phone +4 31 5 51 Fax +4 31 5 2</p>
<p>Genie France Phone +33 2 3 2 Fax +33 2 3 2</p>
<p>Genie Iberica Phone +34 3 5 5 42 Fax +34 3 5 5 5</p>
<p>Genie Germany Phone +4 42 2 52 Fax +4 42 2 52 2</p>
<p>Genie U.K. Phone +44 14 5 4333 Fax +44 14 5 4334</p>
<p>Genie Mexico City Phone +52 55 5 5242 Fax +52 55 5 3241</p>

Genie North America
Phone 425 11
Toll Free
53 1
Fax 425 334 5

Genie Australia Pty Ltd.
Phone + 1 33 51
Fax + 1 33 51 2

Genie China
Phone + 21 53 525
Fax + 21 53 525

Genie Malaysia
Phone + 5 4 5
Fax + 5 533 544

Genie Japan
Phone + 1 3 3453 2
Fax + 1 3 3453 3

Genie Korea
Phone + 2 25 5 2
Fax + 2 25 5 3 1

Genie Brasil
Phone +55 11 41 5 55
Fax +55 11 41 5 54

Genie Holland
Phone +31 1 3 5 1 1 2
Fax +31 1 3 5 1 5

Distributed By: